

Operation and Maintenance Manual

Low Pressure

AR70SW



Specifications	
Max. primary fluid pressure	1.4MPa
Fluid flow pressure adjusting range (Secondary fluid pressure)	0.1~1.0MPa
Maximum flow rate	7L/min (17sec/FC#4) 4.5L/min (40sec/FC#4)
Ambient temperature	0~40°C
Fluid inlet diameter	G3/8 (PF3/8)
Fluid outlet diameter	G3/8 (PF3/8)



This manual contains important information on warnings and cautions. Read the manual thoroughly before starting to operate the equipment, and follow the instructions.

Always keep the manual handy until such time as the equipment is no longer being used, and if your manual is lost or worn badly, do not hesitate to contact our agency, which is closest to you, or Asahi Sunac Corporation, directly, and ask us to send you a new one.

Thank you for buying our product.

Before you use the equipment, carefully read this manual.

Especially, fully understand the precautions.

Use the equipment safely and properly, following the instructions in the manual.

Should you have any questions about the manual, please contact us, Asahi Sunac, at the addresses, phone and fax numbers as shown on the back of this manual.

Precautions

- (1) Wash inside this equipment by a thinner which matches used paint and try the whole operation actually.
- (2) Do not install the regulator in a place where thinner splashes.
- (3) Please do not the equipment to the solvent when you the resolution washing.
- (4) Clean well after each use.
Inadequate cleaning may cause failures such as regulator seat failure or uncontrollable pressure.



WARNING

**The maximum primary fluid pressure is 1.4MPa.
Therefore, do not connect this
equipment with a pump which can generate a pressure
of 1.4MPa or more.**



CAUTION

**This equipment is designed and built to maintain constant
fluid pressure by controlling it with control air pressure.
When you control ON-OFF of paint fluid delivery , please
prepare our product “Color Change Valve (ccv series)”.**



CAUTION

This machine is designed for use in general paints, and if it contains solids with a large particle size or pigments with a high specific gravity, etc., it will not be able to be used normally due to accumulation or sedimentation in the route.

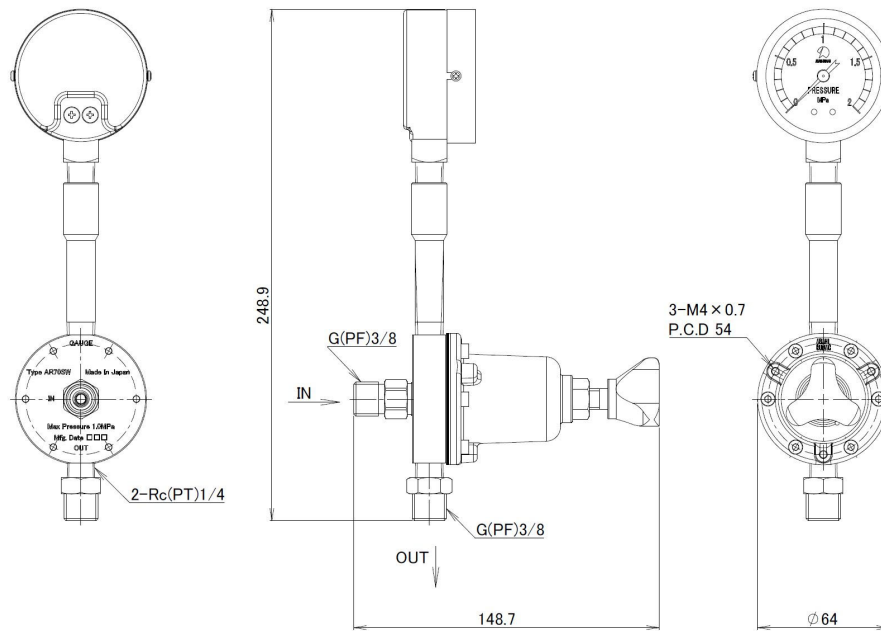
Function and installation

This machine that maintains a constant pressure on the paint outlet side, and the pressure can be adjusted by rotating the handle. A paint supply device is connected to the paint inlet. Connect a paint circulation line or a spray gun with a paint hose to the paint outlet.

Operation

After raising the pressure of the paint supply device to the specified pressure, gradually rotate the handle clockwise to adjust the discharge rate.

Outline Drawing



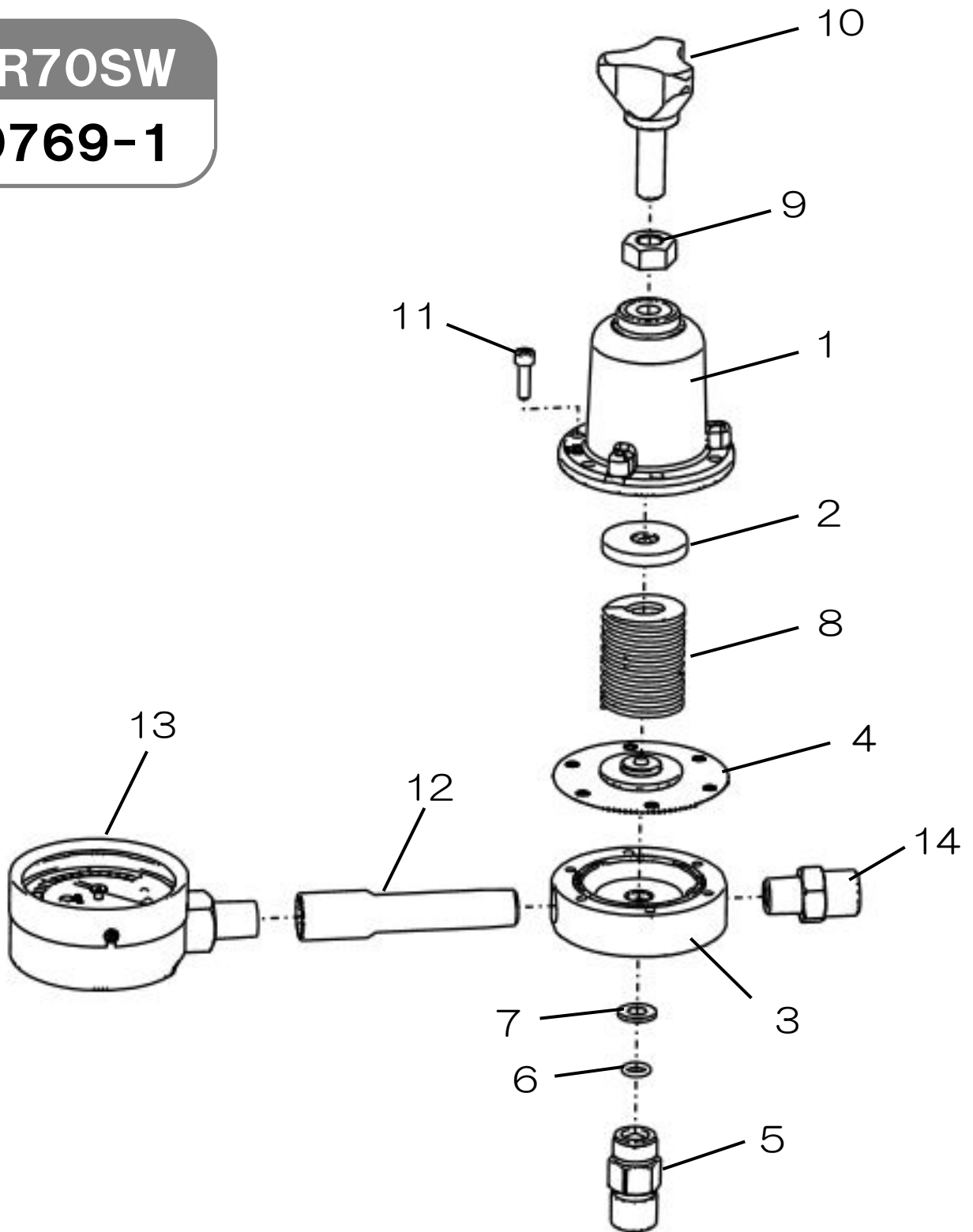
Troubleshooting

Symptom	Cause	Remedy
Cannot increase fluid pressure	① Clogged fluid passage	① Take it apart and clean.
	② Defective pressure gauge(13)	② Replace pressure gauge(13).
Cannot reduce fluid pressure	① Foreign materials on valve seat(5)	① Remove the valve(5) and air blow from the ball side to remove foreign matter.
	② Worn valve(5)	② Replace valve(5)
Paint leaks from handle	Ruptured diaphragm(4)	Replace diaphragm.
Fluid pressure fluctuates	Pump pressure too low	Set pressure higher (0.2~1.4MPa)

Exploded Diagram and Names of Parts

AR70SW

0769-1



Low pressure regulator AR70SW

No.	Parts No.	Name	Qty	Remarks
1	0767-001	Housing	1	
2	0740-007	Spring retainer	1	
3	0767-003	Body	1	
◆4	0767-004	Diaphragm	1	
◆5	0776-105	Valve	1	※
◆6	101-2007	O-ring	1	
7	0767-007	Gasket	1	
8	0740-014	Spring	1	
9	17-11000	Hex nut	1	
10	322-0069	Handle	1	Color : Blue
11	03-70414	Hex socket bolt	6	
12	0741-025	Gauge fixing nipple	1	
13	305-0052	Pressure gauge	1	
14	247-4203	Hose Joint	1	

- Items marked with ◆ are those items that we recommend you carry in your stock.

※ When replacing the valve, replace the No. 6 O-ring as well.

Consumables

Prepare spare parts according to the conditions of use, referring to the rank classification in the following consumables list.

AR70SW (0769-1)

Rank classification	Part No.	Part name	Publishing page
A	0776-105	Valve	4,5
	101-2007	O-ring	4,5
B	0767-004	Diaphragm	4,5
	305-0052	Pressure gauge	4,5

Rank A: Daily consumables

Rank B: Medium-term consumables

Rank C: Parts which may be damaged/lost when used

Rank D: Parts required to be replaced when disassembled

Warranty

ASAHI SUNAC CORPORATION (the “Company”) shall provide the original purchaser (the “Purchaser”) with warranty service for a period of 6 months from the date of purchase of the product, as follows:

- Should you find defects in design or workmanship with regard to parts, ship them back to the Company, with freight prepaid. The Company shall repair or replace the parts free of charge and reimburse the freight charges, provided that, as a result of an inspection and investigation of the parts conducted by the Company, the defects are deemed to be attributable to the factors within the Company’s responsibility.
- In the following cases, free after-sales service is not provided.
 1. Failure resulting from an inappropriate method of installing this equipment.
 2. Failure resulting from a use method not conforming to this instruction manual or mishandling.
 3. Failure resulting from insufficient maintenance management of this equipment and incorrect handling such as non-conformance to the procedures specified in this instruction manual.
 4. Failure resulting from unauthorized alteration or structure change of this equipment without the Company’s consent.
 5. Failure due to force majeure such as earthquake, disaster, flood disaster or lightning.
 6. Warranty for consumables worn or deteriorated even in the case where this equipment is used correctly.
 7. Repair after the machine has been used outside Japan, and shipping cost.
 8. In addition to the above, failure due to circumstances beyond our control.
- As for items such as parts purchased by the Company from another manufacturer, the warranty of that manufacturer shall apply.
- As for any parts deemed to be defective, the Company shall not be held liable for any expenses beyond the provision of repair or replacement parts free of charge.
- The Company shall not be held liable for any damage to the Purchaser caused by factors not attributable to the Company, such as misuse of product, etc.

【MEMO】

【MEMO】

-
- When a transfer of title of this equipment takes place, please see to it that this Operation and Maintenance Manual is handed over to the new owner.
 - This equipment is manufactured in compliance with the Laws and Regulations of Japan.

In the rare eventuality of this equipment being used outside Japan, compliance with the safety standards of the relevant countries is of course mandatory.

11th Edition: November 12, 2025

ASAHI SUNAC CORPORATION

HEAD OFFICE
5050, SHINDENBORA, ASAHIMAE-CHO,
OWARIASAHI, AICHI PREF. 488-0852, JAPAN
PHONE +81-561-52-0717 FAX +81-561-54-8847

URL : www.sunac.co.jp
E-mail : ctrd01@sunac.co.jp

Sales office



English



Chinese