

# HNP Round Spray Nozzle Series for Air Electrostatic Hand Gun

## 1

### Specification

#### 1.1 Function of a round nozzle

The round nozzle, when attached to the tip of a painting machine, serves to atomize paint and force it into a particular pattern with the help of compressed air.

#### 1.2 Product specifications

Product name	Air Electrostatic Round Nozzle	
Model	HNP300	HNP310
Part number	15FA	15FA-1
Specifications	Wide-angle	Narrow-angle
Maximum pattern size during electrostatic application	Φ(phi)220mm (Spray distance 250mm)	Φ(phi)130mm (Spray distance 250mm)
Flow rate	100~300ml/min	
Applied viscosity	Less than 100mPa·s (Less than 30 sec. at Ford#4)	
Air consumption	180 L /min(ANR) (Air pressure 0.25MPa at the basis of the gun)	
Applicable paints	Solvent-based solid and clear paint	

\* Metallic paint could change its tone of the color compared with that by a general spray gun. Also, clog could occur due to the size of additional flakes during paint.

#### 1.3 Compatible guns

Gun type	Air Electrostatic Hand Gun				Air Spray Hand Gun
	HB5000R	HB5000	HB6000	HB-X3	MGB50
HNP300	✓	-	-	-	-
HNP310	✓	-	-	-	-

### NOTE

For information on paint pressure feed devices, paint regulators, and guns, see their respective instruction manuals.

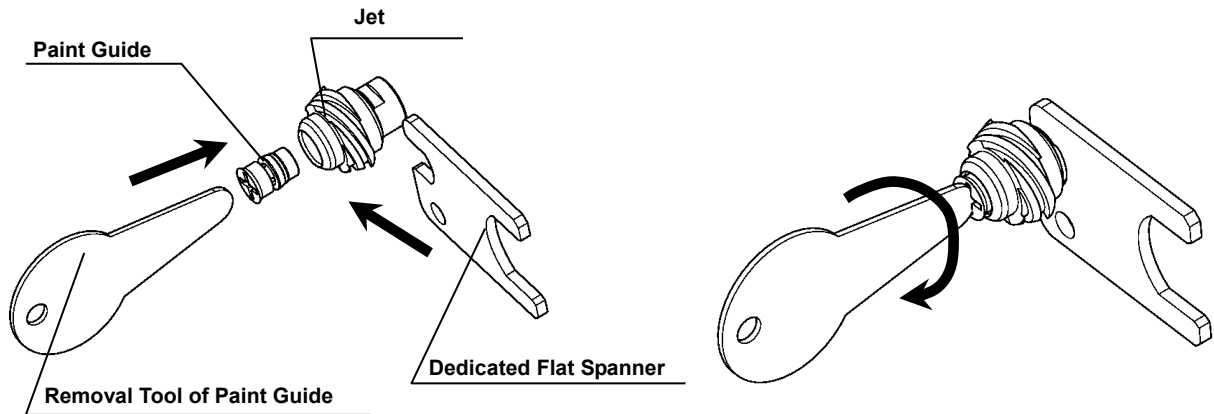
# 2

## Handling of a Round Nozzle

### 2.1 Attaching the round nozzle

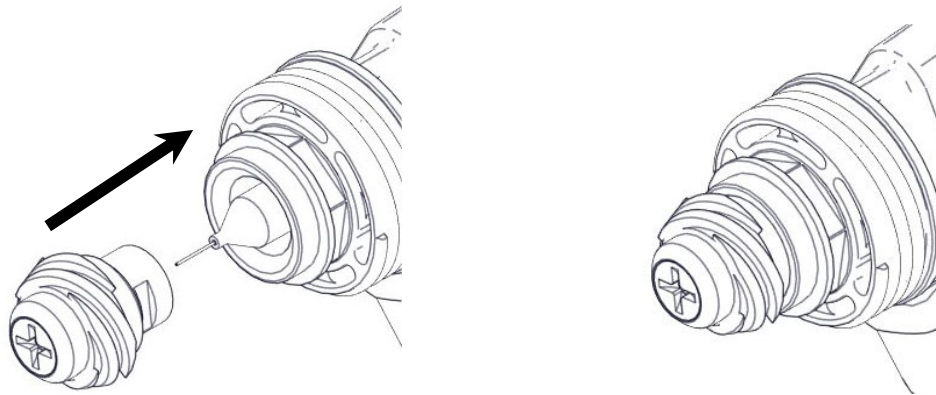
(1) After attaching the paint guide to the jet, fix it by a removal tool of paint guide and a dedicated flat spanner.

Before fixing it, flash the tip of paint guide and inside the jet enough to prevent foreign matter adhesion.

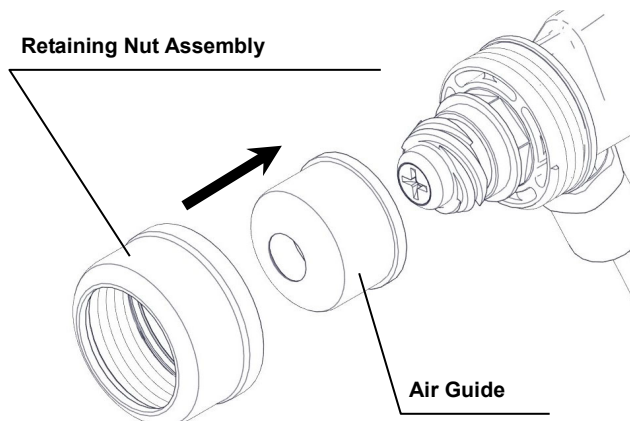


(2) Attach the jet straightly on the tip of paint nozzle.

When attaching it, use caution to prevent the electrode pin from bending due to stepped hole inside paint guide. When plug  $\Phi(\phi)0.4$  mm electrode into  $\Phi(\phi)0.4$  mm hole on the tip of the paint guide, be sure that the electrode is not caught by paint guide.

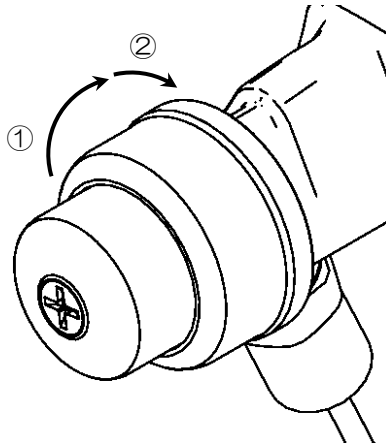


(3) Attach the retaining nut assembly to the outside of the air guide.



(4) Tighten the retaining nut assembly in the barrel.

If you tight it too strongly, the atomization pattern might be small or change its form. If you tight it too loosely, the air might be mixed into paint nozzle. Please tight it appropriately.



**⚠ CAUTION**

Personal injury or damage of the electrode pin may occur.

Do not touch the electrode pin when attaching the air cap to the gun.

Be sure to remove the jet from the paint nozzle when using removal tool of paint guide.

**⚠ CAUTION**

Damage of the unit may occur.

The internally threaded portion of the nozzle mounting joint, which is made of plastic, may become damaged if tightened too much. Removal and attach it with sufficient care.

2.2 Removing the round nozzle

To remove the round nozzle, perform the attachment procedure in reverse order.

**⚠ CAUTION**

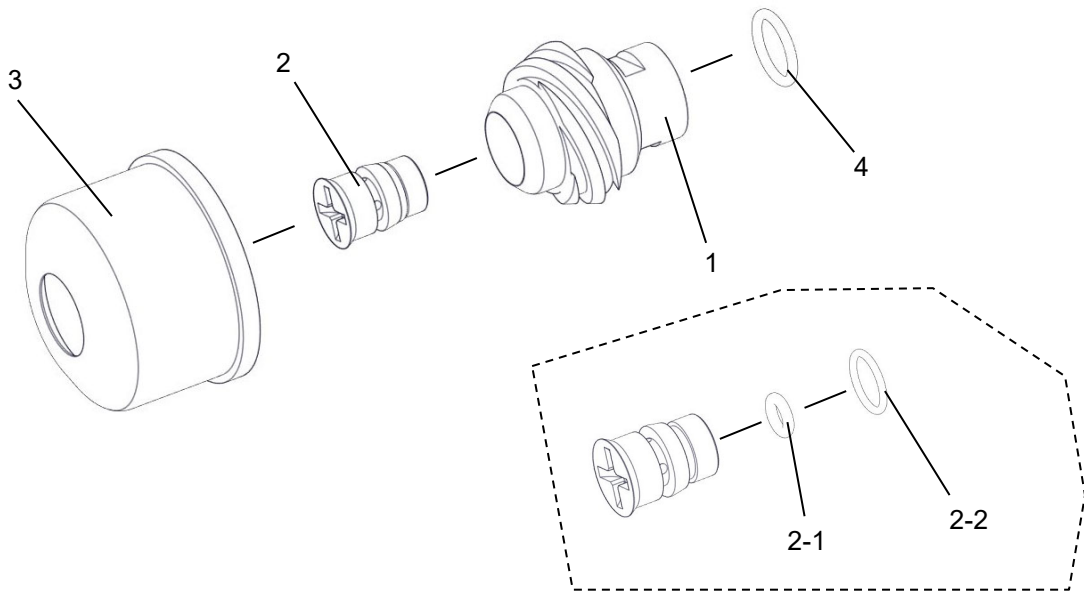
If the round nozzle is subjected to high impact such as dropping it on the floor, it may become damaged. Removal and attach it with sufficient care.

**⚠ CAUTION**

Damage of the unit may occur. If the round nozzle is submerged into cleaning solvent for a long period of time, it may deform. If you use a metal brush such as brass for cleaning the round nozzle, which is made of plastic, it may become damaged.

# 3

## Component Parts



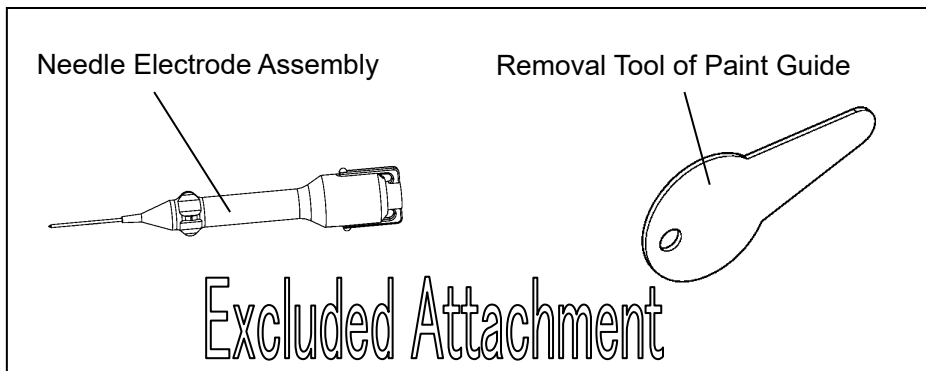
HNP300 (15FA)

Number	Part number	Product name	Order unit	Remarks
1	15F A-001	Jet	1	
2	15F A-002	Paint Guide Set	1set	
2-1	130-9004	O-ring	1	*
2-2	129-9007	O-ring	1	*
3	15F A-003	Air Guide	1	
4	130-9010	O-ring	1	

HNP310 (15FA-1)

Number	Part number	Product name	Order unit	Remarks
1	15F A-101	Jet	1	
2	15F A-002	Paint Guide Set	1set	
2-1	130-9004	O-ring	1	*
2-2	129-9007	O-ring	1	*
3	15F A-103	Air Guide	1	
4	130-9010	O-ring	1	

\*Included in 15FA-002



Dedicated needle electrode assembly for round nozzle(product number 1731) and removal tool of paint guide(product number 35F1-004) is made for HB5000R that is designed for exclusive use of our round spray nozzle.

- If you assign or transfer this machine to a third party, be sure to attach this document to the machine.
- This machine was manufactured in accordance with Japan's legal requirements. If you use this machine outside Japan, you will need to observe all the safety standards in the country where it is used.