

Operation and Maintenance Manual

Low Pressure Back Pressure Valve

RV60

Specifications	
Max. relief pressure	0.5MPa
Maximum flow rate	20L/min (17sec/FC#4) 15L/min (40sec/FC#4)
Ambient temperature	0~40°C
Fluid inlet diameter	R3/4 (PT3/4) or G3/4
Fluid outlet diameter	Rc3/4 (PT3/4)

This manual contains important information on warnings and cautions. Read the manual thoroughly before starting to operate the equipment, and follow the instructions.

Always keep the manual handy until such time as the equipment is no longer being used.

If your manual is lost or worn badly, do not hesitate to contact our agency which is closest to you, or the Asahi Sunac Corporation, directly, and ask us to send you a new one.



Thank you for buying our product, Low Pressure Back Pressure valve, Model RV60.

Before you use the equipment, carefully read this manual. Especially, fully understand the precautions.

Use the equipment safely and properly, following the instructions in the manual.

Should you have any questions about the manual, please contact us, Asahi Sunac, at the addresses, phone and fax numbers as shown on the back of this manual.

Precautions

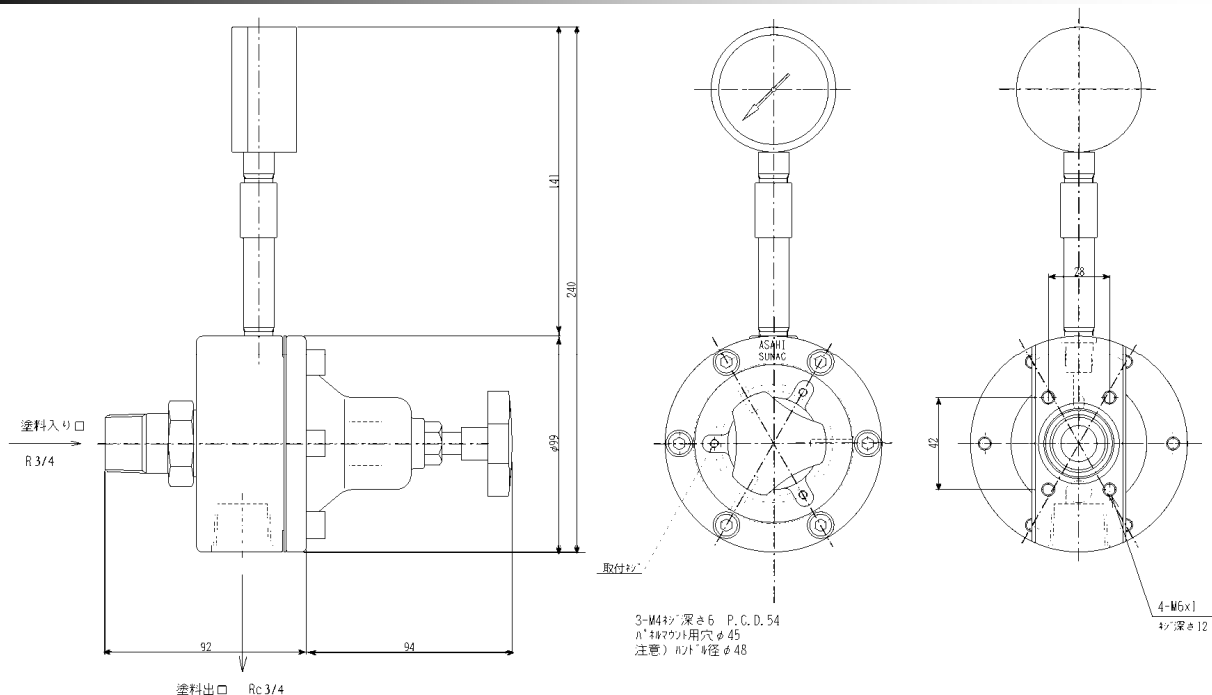
- (1) Wash inside this equipment by a thinner which matches used paint and try the whole operation actually.
- (2) Do not install the regulator in a place where thinner and paint splashes.
- (3) Please do not the equipment to the solvent when you the resolution washing.
- (4) Clean well after each use.

Inadequate cleaning may cause failures such as regulator seat failure or uncontrollable pressure.

! WARNING

The maximum primary fluid pressure is 0.5MPa. Therefore, do not connect this equipment with a pump which can generate a pressure of 0.5MPa or more.

Outline drawing

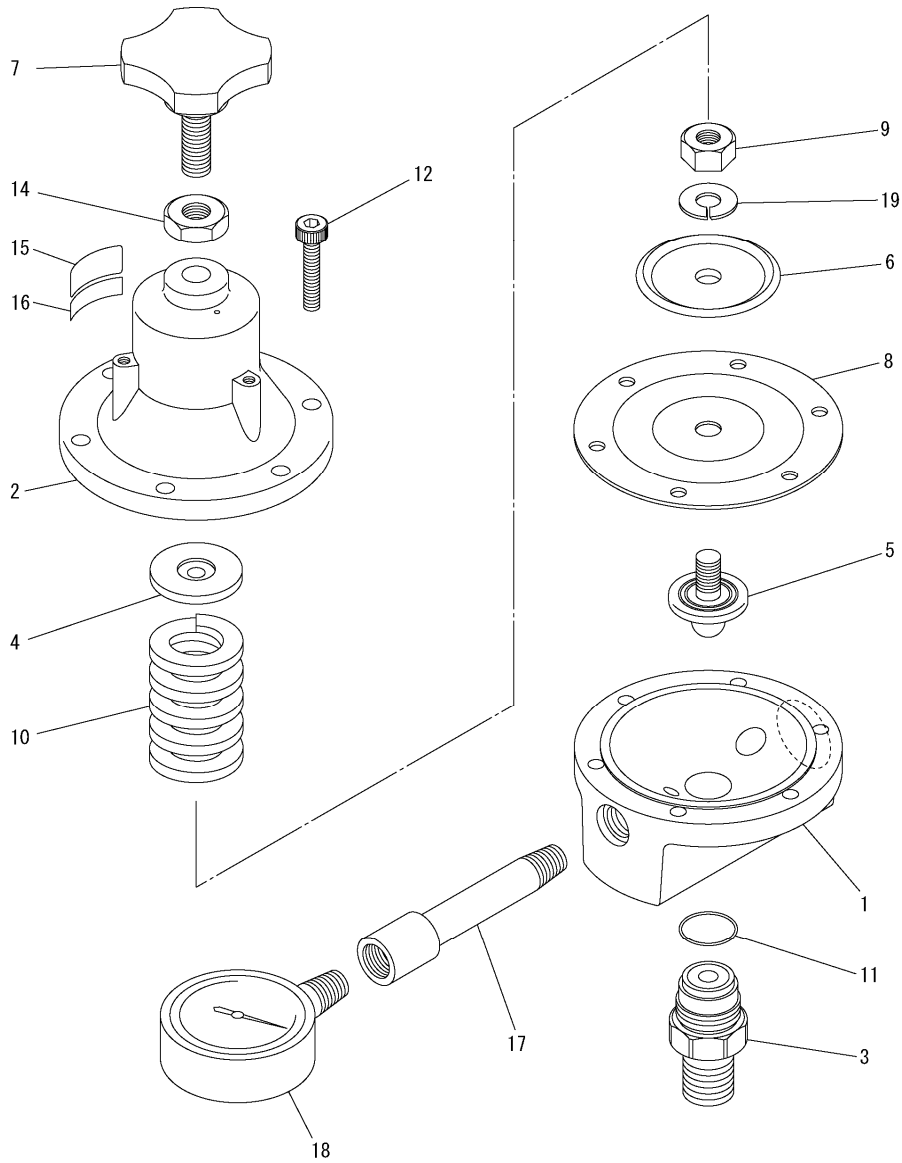


Troubleshooting

Symptom	Cause	Remedy
Oil leaks from handle	Ruptured diaphragm (8)	Replace diaphragm

Exploded Diagram and Names of Parts

RV60
0758



Low pressure back pressure valve RV60

No.	Parts No.	Name	Qty	Remarks
1	0758-001	Body	1	
2	0740-002	Spring housing	1	
3	0758-003	Valve	1	
4	0740-007	Spring retainer	1	
5	0758-005	Diaphragm retainer	1	
6	0740-009	Diaphragm receiver	1	
7	0740-010	Handle	1	
8	0740-011	Diaphragm	1	
9	15-70800	Hex. nut	1	
10	0740-014	Spring	1	

No.	Parts No.	Name	Qty	Remarks
11	130-2024	O-ring	1	
12	1F-80620	Bolt	6	
13	Nil			
14	17-11000	Hex. nut	1	
15	3370-001	Name plate	1	
16	5241-003	Max. pressure indication label	1	
17	0721-027	Nipple	1	
18	305-0011	Pressure gauge	1	
19	41-80800	Spring washer	1	

Warranty

ASAHI SUNAC CORPORATION (the “Company”) shall provide the original purchaser (the “Purchaser”) with warranty service for a period of 6months from the date of purchase of the product, as follows:

- Should you find defects in design or workmanship with regard to parts, ship them back to the Company, with freight prepaid. The Company shall repair or replace the parts free of charge and reimburse the freight charges, provided that, as a result of an inspection and investigation of the parts conducted by the Company, the defects are deemed to be attributable to the factors within the Company’s responsibility.
- In the following cases, free after-sales service is not provided.
 1. Failure resulting from an inappropriate method of installing this equipment.
 2. Failure resulting from a use method not conforming to this instruction manual or mishandling.
 3. Failure resulting from insufficient maintenance management of this equipment and incorrect handling such as non-conformance to the procedures specified in this instruction manual.
 4. Failure resulting from unauthorized alteration or structure change of this equipment without the Company’s consent.
 5. Failure due to force majeure such as earthquake, disaster, flood disaster or lightning.
 6. Warranty for consumables worn or deteriorated even in the case where this equipment is used correctly.
 7. Repair after the machine has been used outside Japan, and shipping cost.
 8. In addition to the above, failure due to circumstances beyond our control.
- As for items such as parts purchased by the Company from another manufacturer, the warranty of that manufacturer shall apply.
- As for any parts deemed to be defective, the Company shall not be held liable for any expenses beyond the provision of repair or replacement parts free of charge.
- The Company shall not be held liable for any damage to the Purchaser caused by factors not attributable to the Company, such as misuse of product, etc.

-
- When a transfer of title of this equipment takes place, please see to it that this Operation and Maintenance Manual is handed over to the new owner.
 - This equipment is manufactured in compliance with the Laws and Regulations of Japan.
In the rare eventuality of this equipment being used outside Japan, compliance with the safety standards of the relevant countries is of course mandatory.
-

8th Edition : July 13, 2022



Leading Manufacturer of Coating FA Systems
ASAHI SUNAC CORPORATION
Head office & Factory: 5050 Asahimae-cho, Owariasahi, Aichi 488-8688 Japan

TEL 81-561-52-0717 FAX 81-561-54-8847
e-mail: ctrd01@sunac.co.jp

8th Edition : July 13, 2022