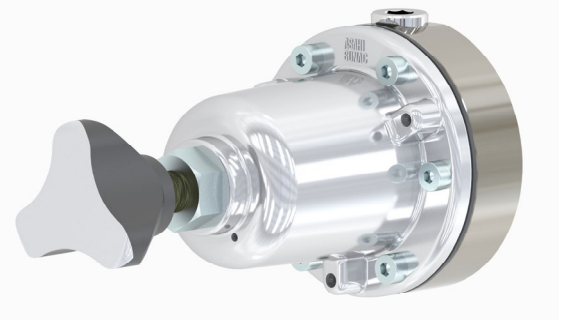


Operation and Maintenance Manual

Back Pressure Regulator



RV70S

Specifications	
Max. relief pressure	0.5MPa
Maximum flow rate	7L/min (17sec/FC#4) 4.5L/min (40sec/FC#4)
Ambient temperature	0 ~ 40°C
Fluid inlet diameter	Rc1/4 (PT1/4)
Fluid outlet diameter	G1/4 (PF1/4)



This manual contains important information on warnings and cautions. Read the manual thoroughly before starting to operate the equipment, and follow the instructions.

Always keep the manual handy until such time as the equipment is no longer being used, and if your manual is lost or worn badly, do not hesitate to contact our agency, which is closest to you, or Asahi Sunac Corporation, directly, and ask us to send you a new one.

Thank you for buying our product, Low Pressure Back Pressure valve, Model RV70S.

Before you use the equipment, carefully read this manual. Especially, fully understand the precautions.

Use the equipment safely and properly, following the instructions in the manual.

Should you have any questions about the manual, please contact us, Asahi Sunac, at the addresses, phone and fax numbers as shown on the back of this manual.

Precautions

- (1) Do not install the regulator in a place where thinner splashes.
- (2) Please do not the equipment to the solvent when you the resolution washing.
- (3) Clean well after each use.
Inadequate cleaning may cause failures such as regulator seat failure or uncontrollable pressure.
- (4) Clean well after each use.
Inadequate cleaning may cause failures such as regulator seat failure or uncontrollable pressure.



WARNING

The maximum primary fluid pressure is 0.5MPa.

Therefore, do not connect this equipment with a pump which can generate a pressure of 0.5MPa or more.



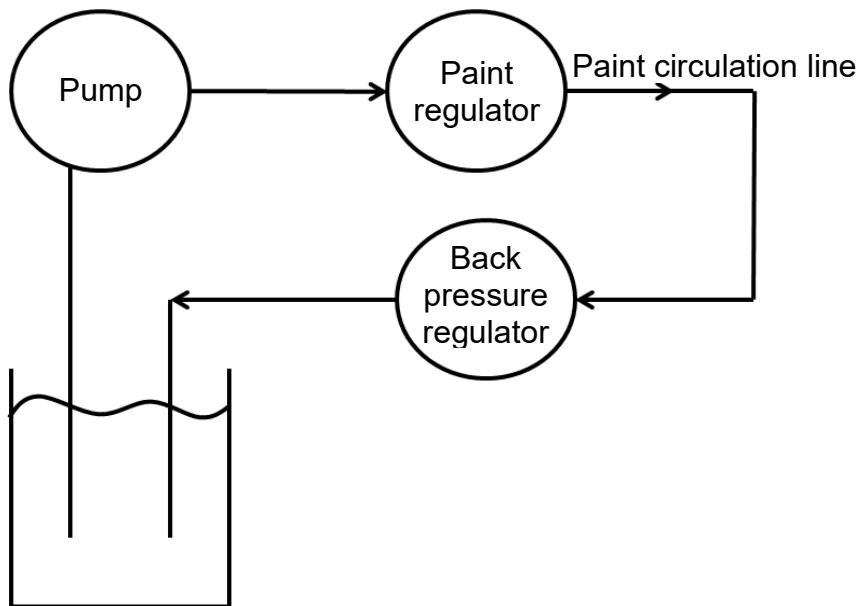
WARNING

This equipment is designed for use in general paints, and if it contains solids with a large particle size or pigments with a high specific gravity, etc., it will not be able to be used normally due to sedimentation in the route.

Function and Installation

A paint regulator is to keep the pressure on the OUT side constant, however a back pressure regulator is to keep the pressure on the IN side constant.

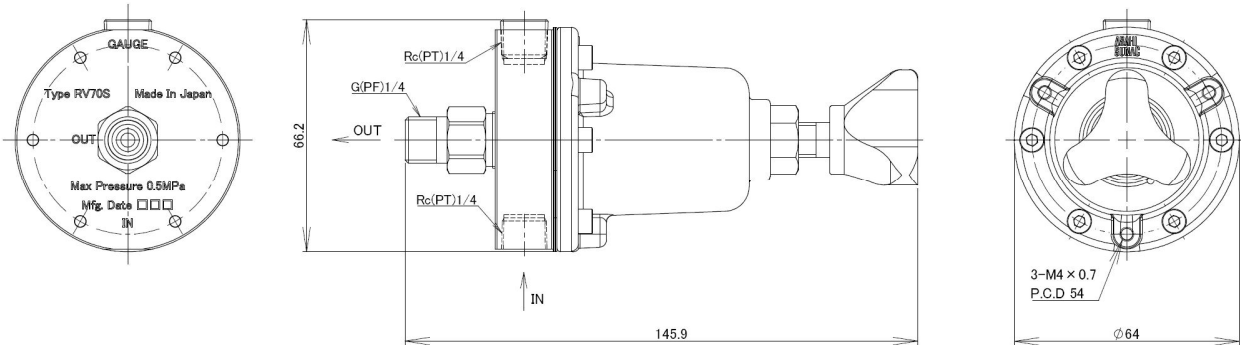
It is used by installing it at the end of the paint circulation line together with the paint regulator after the pump of the paint circulation line.



Operation

Adjust the handle to the desired amount of paint circulation by gradually rotating the handle counterclockwise from the fully closed state.

Outline drawing



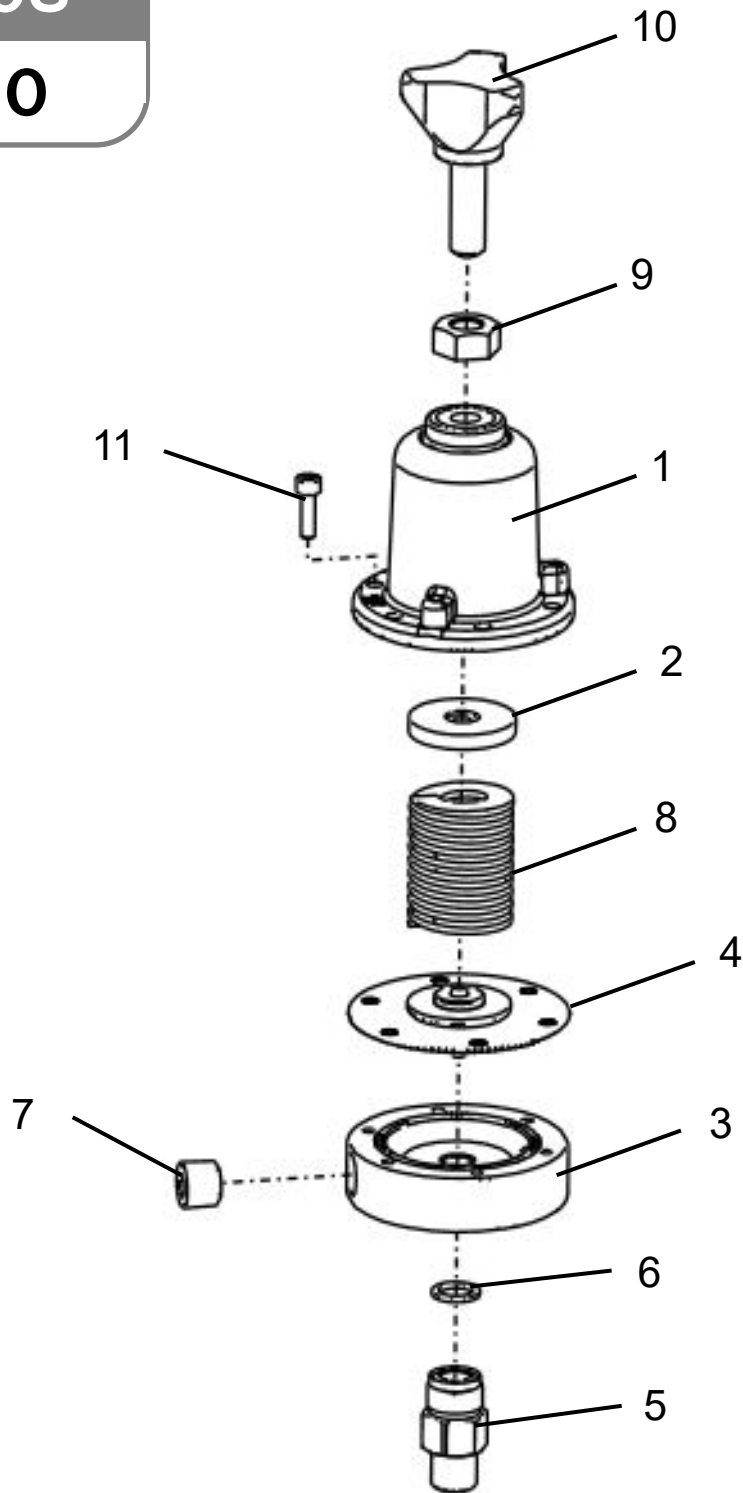
Troubleshooting

Symptom	Cause	Remedy
Oil leaks from handle	Ruptured diaphragm (4)	Replace diaphragm.
Cannot adjust the amount of paint circulation	① Foreign materials on valve seat (5)	① Take the valve (5) off, and remove foreign matter with air blow.
	② Worn valve (5)	② Replace valve (5).

Exploded Diagram and Names of Parts

RV70S

0770



Back pressure regulator RV70S

No.	Parts No.	Name	Qty	Remarks
1	0767-001	Housing	1	
2	0740-007	Spring retainer	1	
3	0770-003	Body	1	
※4	0770-004	Diaphragm	1	
※5	0770-005	Valve	1	
※6	155-2010A	Backup ring	1	
7	244-4002	Hex Socket plug	1	
8	0767-008	Spring	1	
9	17-11000	Hex nut	1	
10	322-0067	Handle	1	Color: Gray
11	03-70414	Hex Socket plug	6	

- Items marked with ※ are those items that we recommend you carry in your stock.

Warranty

ASAHI SUNAC CORPORATION (the “Company”) shall provide the original purchaser (the “Purchaser”) with warranty service for a period of 6 months from the date of purchase of the product, as follows:

- Should you find defects in design or workmanship with regard to parts, ship them back to the Company, with freight prepaid. The Company shall repair or replace the parts free of charge and reimburse the freight charges, provided that, as a result of an inspection and investigation of the parts conducted by the Company, the defects are deemed to be attributable to the factors within the Company’s responsibility.

- In the following cases, free after-sales service is not provided.
 1. Failure resulting from an inappropriate method of installing this equipment.
 2. Failure resulting from a use method not conforming to this instruction manual or mishandling.
 3. Failure resulting from insufficient maintenance management of this equipment and incorrect handling such as non-conformance to the procedures specified in this instruction manual.
 4. Failure resulting from unauthorized alteration or structure change of this equipment without the Company’s consent.
 5. Failure due to force majeure such as earthquake, disaster, flood disaster or lightning.
 6. Warranty for consumables worn or deteriorated even in the case where this equipment is used correctly.
 7. Repair after the machine has been used outside Japan, and shipping cost.
 8. In addition to the above, failure due to circumstances beyond our control.

- As for items such as parts purchased by the Company from another manufacturer, the warranty of that manufacturer shall apply.
- As for any parts deemed to be defective, the Company shall not be held liable for any expenses beyond the provision of repair or replacement parts free of charge.
- The Company shall not be held liable for any damage to the Purchaser caused by factors not attributable to the Company, such as misuse of product, etc.

-
- When a transfer of title of this equipment takes place, please see to it that this Operation and Maintenance Manual is handed over to the new owner.
 - This equipment is manufactured in compliance with the Laws and Regulations of Japan.
In the rare eventuality of this equipment being used outside Japan, compliance with the safety standards of the relevant countries is of course mandatory.
-

9th Edition: June, 22, 2022

ASAHI SUNAC CORPORATION

HEAD OFFICE
5050, SHINDENBORA, ASAHIMAE-CHO,
OWARIASAHI, AICHI PREF. 488-0852, JAPAN
PHONE +81-561-52-0717 FAX +81-561-54-8847

URL : www.sunac.co.jp
E-mail : ctrd01@sunac.co.jp

Sales office



English



Chinese